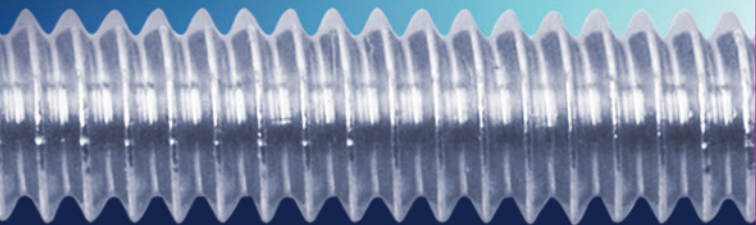




XINLIAN

Since 1989



XINLIAN

FASTENER MANUFACTURER

Haining Xinlian Hardware Machinery Co., Ltd.



Introduction

Haining XinLian Hardware Machinery Co., Ltd is an integrated technology factory which is a coordinated process of design, production and sale. The main products are furniture fittings (confirmat screw, connecting screw, Dowel nut, shelf support, allen key, excentric cam...)and every kind of fasteners(DIN standard and building fasteners). In past 30 years development, we had set up mature productions team and sales team to meet the different clients of different request. We are winning more and more clients' trust and make our goods to sale to more and more countries.

Xinlian hardware welcome you to visit us and join us. Hope we can get win-win cooperation together.



Workshop







XL-FP01



XL-FP02



XL-FP06



XL-FP03



XL-FP04



XL-FP05

规格	处理	克重	数量/包	数量/箱
2.3X12	镀锌	6.8	1000	5000
1.8X11.5	镀锌	5.4	1000	5000
1.8X10.5	镀锌	5.3	1000	5000
1.6X11	镀锌	4.8	1000	5000
1.5X10	镀锌	4.2	1000	5000
1.5X11	镀锌	4.3	1000	5000
1.5X10(12)	镀锌	2.6	1000	10000



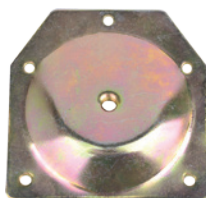
XL-FT01
Size: 76x73x1.2



XL-FT02
Size: 59x59x1.5



XL-FT03
Size: 69x66x1.2



XL-FT04
Size: 100x100x2.0



XL-FT05
Size: 49x49x1.5



XL-FT06
Size: 62x62



XL-FT07
Size: 116x40



XL-FT08
Size: 380 / 430



XL-FC01



XL-FC02



XL-FC03



XL-FC04



XL-FC06



XL-FC07



XL-FB01



XL-FB03



XL-FB04



XL-FB05



XL-FB06



XL-FB07



XL-FB08



XL-FB09



XL-FB10



XL-FB11



XL-FB12



XL-FB13



XL-FB14



XL-FB15



XL-FB16



XL-FB17



XL-FB18



XL-FB19



XL-FB20



XL-FB21



XL-FB22



XL-FB23



XL-FB24



XL-FB25



XL-FE01



XL-FE02



XL-FE08



XL-FE10



XL-FE11



XL-FE12



XL-FE13



XL-FS01



XL-FS02



XL-FS03



XL-FS04



XL-FS05



XL-FS06



XL-FS07



XL-FS08



XL-FS09



XL-FS10



XL-FK01



XL-FK02



XL-FK03



XL-FK04



XL-B01



XL-B02



XL-B04



XL-B03



XL-B05



XL-B06



XL-B07



XL-B08



XL-B09



XL-B10



XL-B11



XL-B12



XL-B13



XL-B14



XL-B15



XL-B16



XL-B17



XL-B18



XL-B19



XL-B20



XL-B21



XL-B22



XL-B23



XL-B24



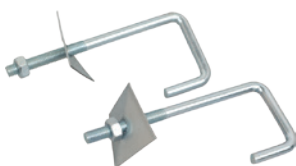
XL-B25



XL-B26



XL-B27



XL-B28



XL-B29



XL-B30



XL-FA24



XL-B50



XL-B51



XL-ST01



XL-ST02



XL-ST03



XL-ST04



XL-ST05



XL-ST06



XL-ST07



XL-ST08



XL-ST09



XL-ST10



XL-ST11



XL-ST12



XL-ST13





XL-SA01



XL-SA02



XL-SA08



XL-SA13



XL-SA14



XL-SA16



XL-SA17



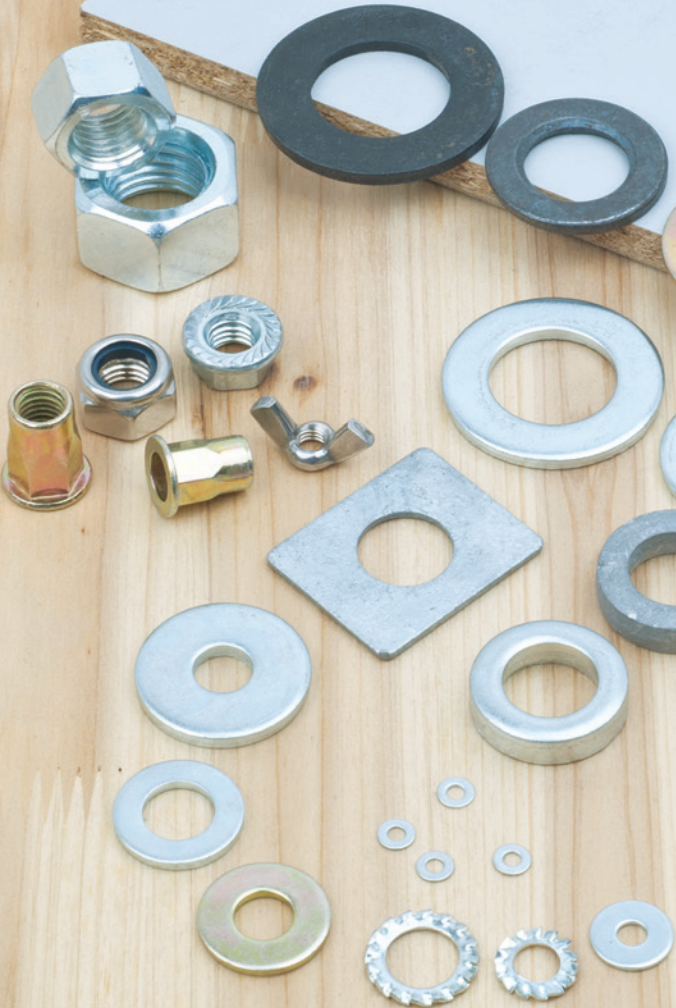
XL-SA18



XL-SA22



XL-SA23





XL-W01
DIN9021



XL-W02
DIN125



XL-W03



XL-W04



XL-W05
DIN7989



XL-W06
DIN436



XL-W07



XL-W08



XL-W09



XL-W10
DIN6798A



XL-N01



XL-N02



XL-N03



XL-N04



XL-N05



XL-N06



XL-N07



XL-N08

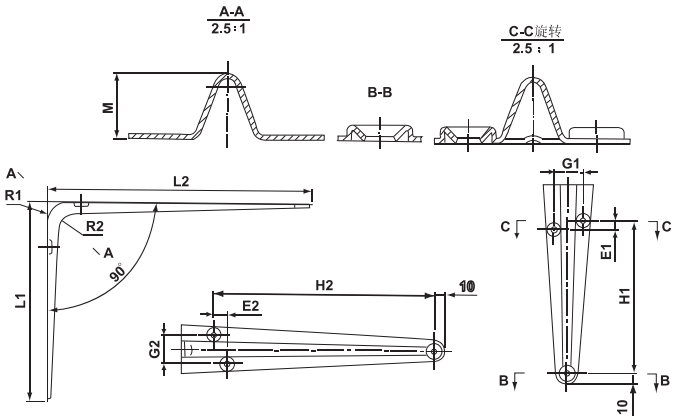


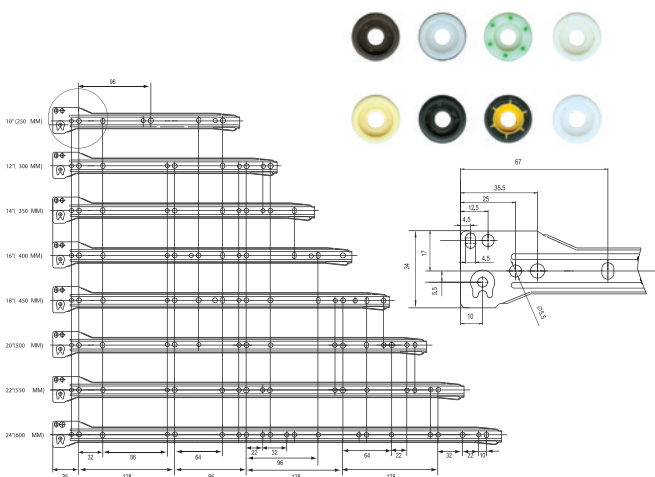


L1	75	100	125	150	200	250	300
L2	100	125	150	200	250	300	350
R1	12	12	12	17	16	20	24
R2	10	12	12	14	14	20	24
E1	8	8	8	10	12	12	12
G1	15	18	20	20	22	27	30
H1	50	75	100	115	155	205	250
E2	8	8	8	10	12	12	12
G2	15	18	20	20	22	27	30
H2	75	100	125	165	205	255	300
M	10	12.5	13	14	16	19	20

XL-FA02 Light recess shelf bracket

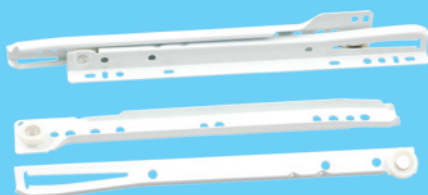
规格	重量(g/只)	厚度(mm)	体积CM
3x4	21	0.6	27x22x23.5 CM (12对打)
4x5	29	0.6	35x23.5x28 CM (12对打)
5x6	37	0.6	39x23.5x28 CM (12对打)
6x8	58	0.7	44x28x28 CM (12对打)
8x10	95	0.7	56x33.5x23.5 CM (10对打)
10x12	152	0.8	39.5x34x27 CM (5对打)
12x14	171	0.8	42.5x39x29 CM (5对打)



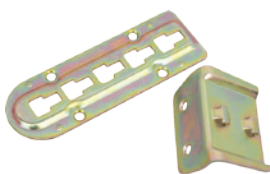


规格 Size	厚度(MM) Thickness	净重/付(g) Net Wt./Sets	体积25付 Measurement(CM)
10寸(250mm)	0.8	225	26×16×13
12寸(300mm)	0.8	265	31×16×13
14寸(350mm)	0.8	305	36×16×13
16寸(400mm)	0.8	345	41×16×13
18寸(450mm)	0.8	385	46×16×13
20寸(500mm)	0.8	425	51×16×13
22寸(550mm)	0.8	465	56×16×13
24寸(600mm)	0.8	505	61×16×13

规格 Size	厚度(MM) Thickness	净重/付(g) Net Wt./Sets	体积25付 Measurement(CM)
10寸(250mm)	0.9	265	26×16×13
12寸(300mm)	0.9	305	31×16×13
14寸(350mm)	0.9	345	36×16×13
16寸(400mm)	0.9	385	41×16×13
18寸(450mm)	0.9	425	46×16×13
20寸(500mm)	0.9	465	51×16×13
22寸(550mm)	0.9	505	56×16×13
24寸(600mm)	0.9	545	61×16×13



XL-FA03



XL-FA05



XL-FA06



XL-FA07



XL-FA08



XL-FA09



XL-FA10



XL-FA11



XL-FA12



XL-FA13



XL-FA14



XL-FA15



XL-FA16



XL-FA17



XL-FA18



XL-FA19



XL-FA20



XL-FA23



XL-FA21



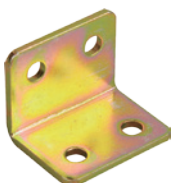
XL-FA22



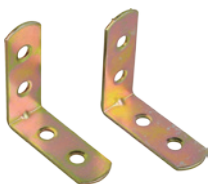
XL-FA24
Size: 15x38mm



XL-FA25
Size: 18x42mm



XL-FA26
Size: 30x32x2.0mm



XL-FA27
Size: 40x40mm



XL-FA28
Size: 62x62mm



XL-FA29
Size: 20x20mm



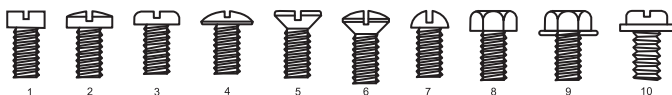
XL-FA30
Size: 20x20mm



XL-FA31
Size: 31x33mm

TYPES OF HEADS

螺丝头型



- 1. CHEESE 圆柱头
- 2. BINDING 球面中柱头
- 7. ROUND 半圆头
- 8. HEXAGON 六角头

- 3. PAN 平元头
- 4. TRUSS 扁圆头
- 9. HEXAGON WASHER 六角垫圈头
- 10. PAN WASHER 平元垫圈头

- 5. FLAT 沉头
- 6. OVAL 半沉头

TYPES OF DRIVE INSERTS

螺丝槽型



一字槽
SLOTTED



十字槽
PHILLIPS
RECESS



方插口
SQUARE
SOCKET



内六角
HEXAGON
SOCKET



凹穴六角
INDENTED
HEXAGON



美式米字槽
SPECIAL
CROSS RECESS
POZIDRIVE



一字方插口
SLOTTED &
SQUARE
SOCKET



一字十字
SLOTTED
PHILLIP
COMBINATION



三角槽
TRIANGLE



工字槽
H HEAD



TX针槽
TX
TAMPER
RESISTANT



TX槽
TX



三翼
TORQ-SE
TRI-WING



Haining Xinlian Hardware Machinery Co., Ltd.

Add: No.5, Liancheng Road, Yanguan Town, Haining
City, Zhejiang, China. Zip: 314411

Tel: +86-573-87275082 / 87275086 / 87275095 / 87621670

Fax: +86-573-87275089

Http://www.china-xinlian.com

E-mail: webmaster@china-xinlian.com